

501 501HD

Track Harvesters



CAT® C6.6 ACERT Tier III Engine

	501	501HD
Gross Power	117 kW (157 HP)	117 kW (157 HP)
Standard Boom Lengths	6.4 m (21')	7.1 m (23'3")
Operating Weight (without attachment)	15 900 kg (35,000 lb)	18 000kg (40,000 lb)

Cat® 501 and 501HD Track Harvesters

The tilt cab feature allows excellent access for service or daily maintenance needs.

Power Train

The Cat C6.6 ACERT Tier III Engine provides excellent power, fuel economy, serviceability, and durability while meeting Tier III emissions standards.

Boom Options

Optional 8.2 m (27') Telescoping "V" Bottom (5-sided) Harvester Boom. Standard Booms Range from 6.4-7.0 m (21'-23').

Operator Station

The unique front entry cab allows for easy entry and exit. Debris does not collect on the reverse slope windshield.

Serviceability

The tilt cab feature allows excellent access for service or daily maintenance needs.

Undercarriage

The proven x-design carbody and large track system provide strength and durability. Side rails are designed so that debris does not collect. The fully-guarded, forestry-duty high walker undercarriage has integrated welded track guards.

Engineered Productivity

The large heavy-duty swing bearing and high swing torque enhance productivity.

Unobstructed Visibility

The engineered cab forward and rear engine design gives exceptional operator visibility. Better visibility means more production.

Counterweight

A large capacity fuel tank and hydraulic oil tank are integrated into the counterweight design.

Electronic Control System

The IQAN® computer based control system provides precise control of machine and attachment functions through the fully proportional valving system. All gauges are monitored on a single MDL full color screen.

Attachments

A full line of Prentice processor/harvester heads are available, factory installed. Consult a Prentice Processing Head specification sheet for specific models and carrier application guide.

Equipped with dependable Cat engines, load sensing hydraulics, and factory installed attachments, Caterpillar track harvesters offer the perfect solution for any cut-to-length application.

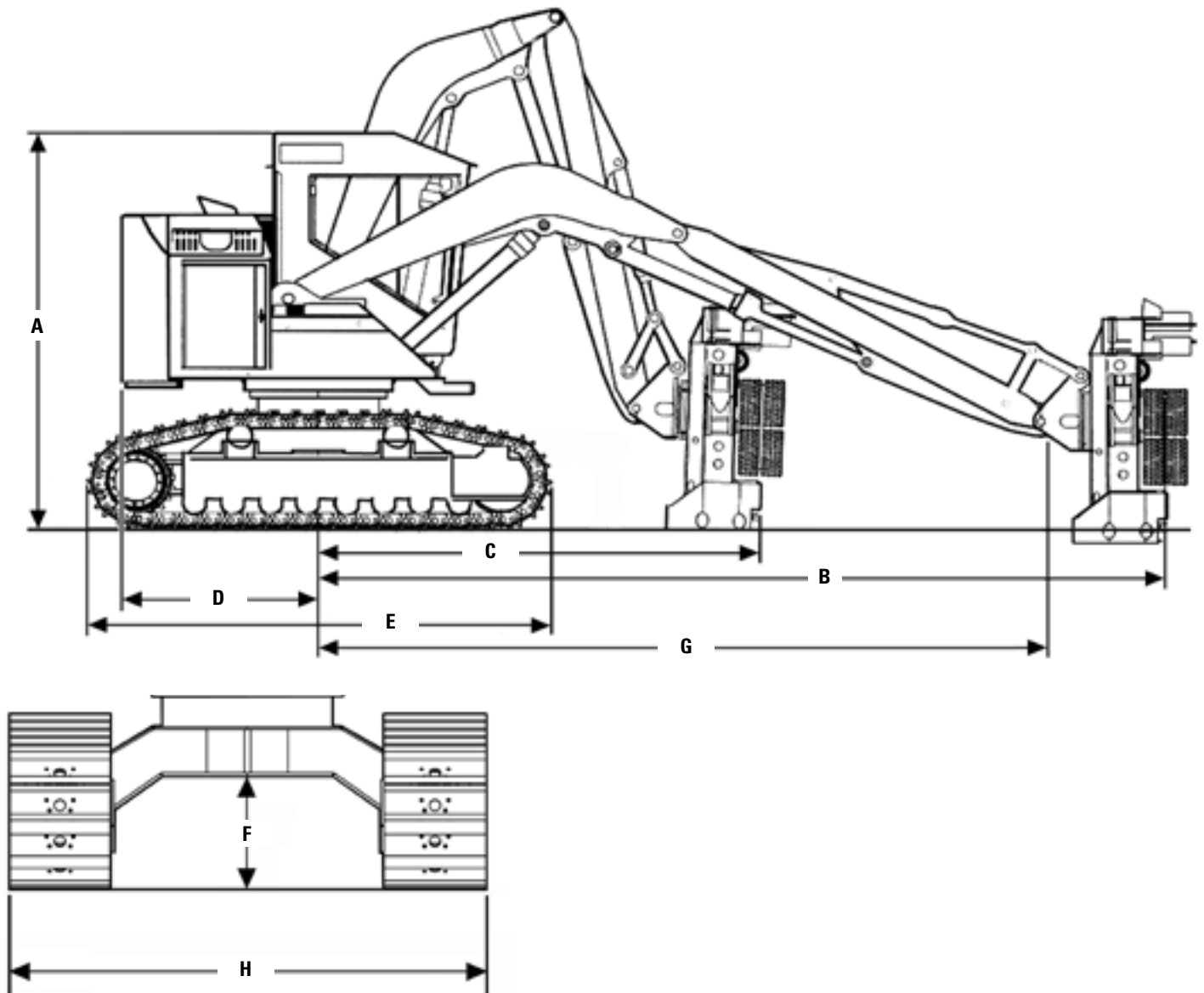


Track Harvester General Specifications

	501	501 HD
Undercarriage		
Track Systems		
D-4 Track Size with 709 C3B Final Drives	S	N/A
D-5 Track Size with 709 BC Final Drives	N/A	S
Shoe Widths		
560 mm (22 in) Single Bar Grouser pads with Mud/Snow Relief	O	N/A
560 mm (22 in) Double Bar Grouser pads with Mud/Snow Relief	S	N/A
610 mm (24 in) Single Bar Grouser pads with Mud/Snow Relief	N/A	O
610 mm (24 in) Double Bar Grouser pads with Mud/Snow Relief	N/A	S
760 mm (30 in) Double Bar Grouser pads with Mud/Snow Relief	N/A	O
8 Lower Rollers, 2 Upper Rollers, All interchangeable	S	S
Heavy Duty "D" Tow Rings	S	S
Relief Sprockets	S	S
2 Speed Track Motor	S	S
163 kN (36,600 lb-force) Tractive Effort	S	N/A
193 kN (43,400 lb-force) Tractive Effort	N/A	S
Upper Structure		
Full Lighting Package – 10 Cab-mounted Halogen Lights	S	S
Radio Ready	S	S
Radio/CD player with XM receiver	O	O
Adjustable Shock Cushioned Seat	S	S
I-QAN® Hydraulic Control System with MDL full color graphics display screen	S	S
ROPS/FOPS/OPS CAB	S	S
Heater/Air Conditioner	S	S
Heater, Artic package-includes engine, water and hydraulic oil heater	O	O
Boom Systems		
6.4 m (21 ft) Main and Stick with Tool Cylinder and Linkage (Reach To Tree)	S	N/A
7 m (23 ft, 3 in) XL Main and Stick with Tool Cylinder and Linkage (Reach To Tree)	O	S
8.2 m (27 ft) Telescopic V-bottom Boom Configuration (Reach To Tree)	O	O
Powertrain		
117 kW (157 HP) CAT C6.6 ACERT Tier III Engine	S	S
Side by Side Water/Hydraulic/Air Cooling Package	S	S
12 Volt Electrical System with Master Disconnect, 160 Amp Alternator	S	S
378 L (100 gal) Fuel Tank	S	S
Hydraulics		
345 Bar (5000 psi) Variable Displacement Load Sense Hydraulic System	S	S
307 L/min (81 gpm) Hydraulic Oil Flow	S	S
230 L (60 gal) Hydraulic Oil Reservoir	S	S
Electric Hydraulic Oil Fill Pump	S	S
Oil Cooler with Thermal Bypass	S	S
Fully Proportional Electronic Controls	S	S
Weight		
Without Attachment	15,900 kg (35,000 lbs)	18,000 kg (40,000 lbs)

S = Standard
O = Optional
N/A = Not Available

Track Harvester Basic Dimensions



	501	501 HD
A. Height with Standard Pads	3327 mm (10' 11")	3429 mm (11' 3")
B. Maximum Reach with Prentice PF-48 Processor	6401 mm (21')	7087 mm (23' 3")
C. Minimum Reach with Prentice PF-48 Processor	3658 mm (12')	3658 mm (12')
D. Swing Center to Rear of Counterweight	1645 mm (64.75")	1645 mm (64.75")
E. Undercarriage Length	3632 mm (11' 10")	3962 mm (13')
F. Ground Clearance	610 mm (24")	660 mm (26")
G. Reach To Stick Boom Pin with Standard Boom	5359 mm (17' 7")	6045 mm (19' 10")
H. Width	with 560 mm (22") pads—2591 mm (8' 6")	with 610 mm (24") pads—2845 mm (9' 4")

Cat, CATERPILLAR their respective logos ACERT and "Caterpillar Yellow", as well as corporate and product identity used herein, are trademarks of Caterpillar and may not be used without permission.

For more complete information on CAT products, dealer services, and industry solutions, visit us on the web at www.cat.com and www.forestpro.com

©2008

All Rights Reserved

Printed in the USA

Order Form # CATHAR(01-08)

Materials and specifications are subject to change without notice. Featured machines in photos may include additional equipment. See your Caterpillar dealer for available options.

